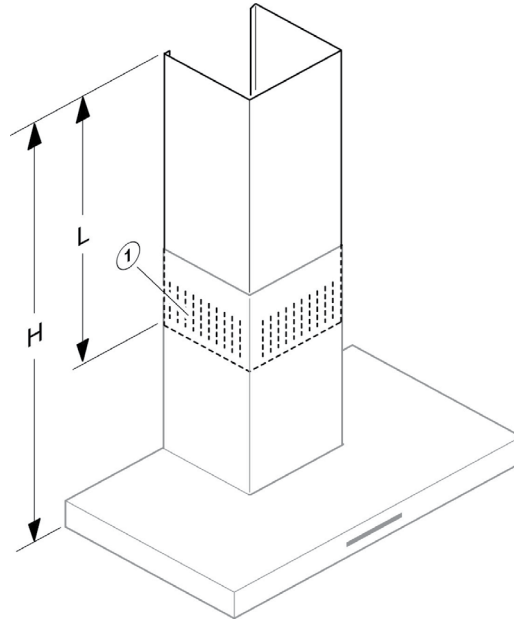


40" Wall HOOD CHIMNEY EXTENSION

DATK2-1000



40" Wall Hood Chimney Extension DATK2-1000



DATK2-1000:

$L = 39\frac{3}{8}"$ (1000 mm)

Height H with chimney extension Kit:

$H = \text{Standard unit height} + 20\frac{11}{16}"$ (525 mm)

(1) Air outlet installed upwards for recirculation mode